

APPLICATIONS
Cadillac Escalade
2007-2009

CT23CA04

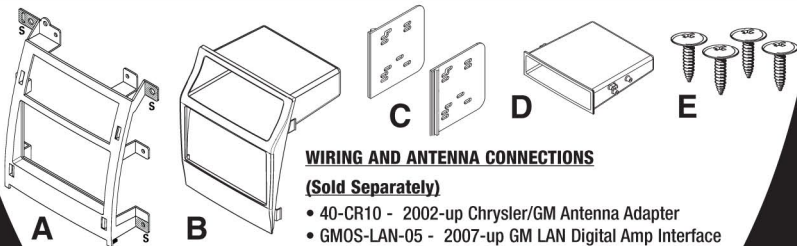
KIT FEATURES

- ISO Mount Radio Provision With Pocket
- Double DIN Radio Provision
- Stacked ISO Units Provision



KIT COMPONENTS

- A) Radio Housing
- B) Radio Housing Trim Plate
- C) Radio Housing Brackets
- D) Pocket
- E) 4) #8 3/8" Screws



WIRING AND ANTENNA CONNECTIONS

(Sold Separately)

- 40-CR10 - 2002-up Chrysler/GM Antenna Adapter
- GMOS-LAN-05 - 2007-up GM LAN Digital Amp Interface

TOOLS REQUIRED:

Small Flat Blade Screwdriver/ Panel Removal Tool

- Phillips Screwdriver
- Socket Set



TABLE OF CONTENTS

Dash Disassembly

- Cadillac Escalade 2007-2009..... 1

Kit Preparation 2

Kit Assembly

- ISO Mount Radio Provision with Pocket 3

- Double DIN Radio Provision 4

- Stacked ISO Units Provision 5

Final Assembly 6

***Note:**

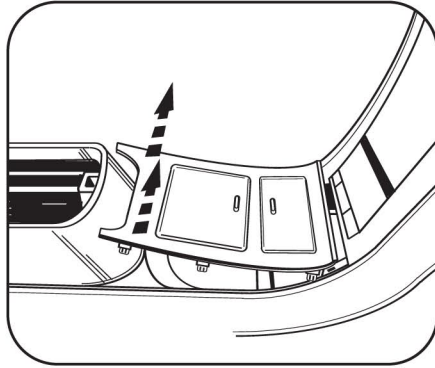
Refer also to the instructions included with the aftermarket radio.

CADILLAC ESCALADE 2007-2009

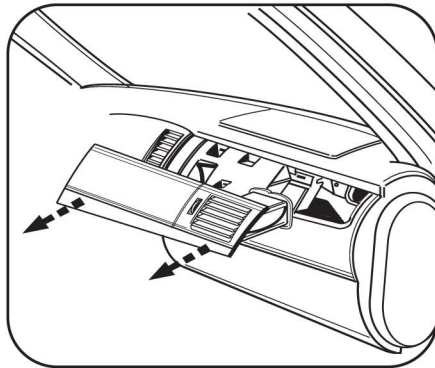
- 1** Disconnect the negative battery terminal to prevent an accidental short circuit.
- 2** Unclip and remove cup holder and ashtray assembly. (Figure A)
- 3** Unclip and remove the trim panel above the glove box including the a/c vent. (Figure B)
- 4** Unclip and remove the entire panel surrounding the radio including the a/c vents. (Figure C)
- 5** Remove (6) 9/32" screws to extract radio from dash. (Figure D)

Continue to kit assembly.

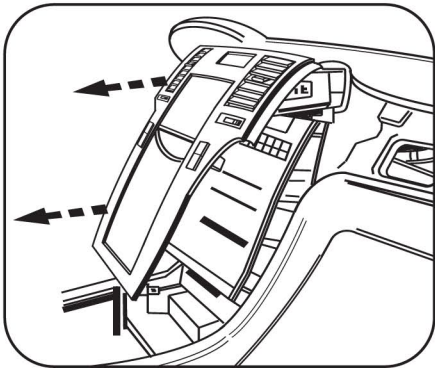
A



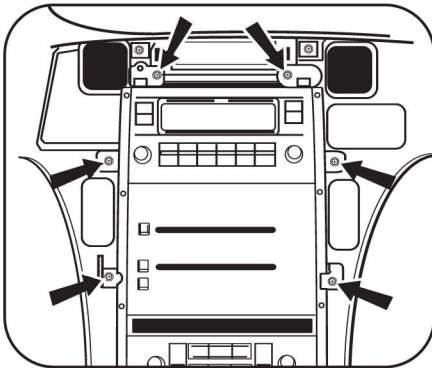
B



C



D



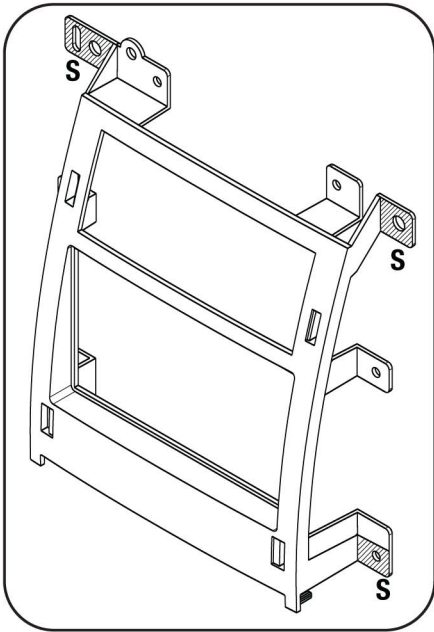
CADILLAC ESCALADE 2007-2009

- 1** Cut and remove the shaded areas **marked with an "S" only** from the radio housing. (Figure A) Right side and top of Radio housing. (Figure B) Left side and top of Radio housing.

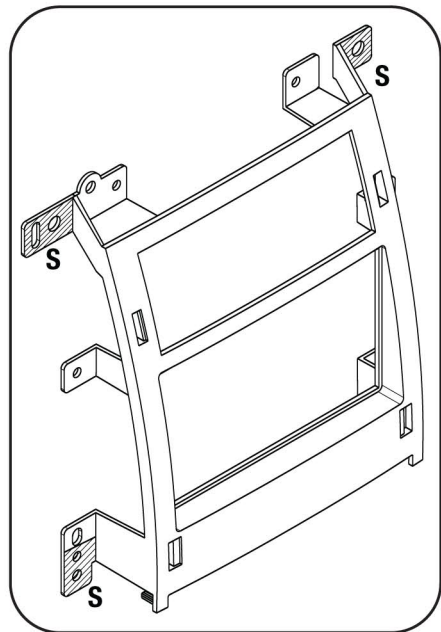
NOTE: Do NOT remove the tab marked with both "S" and "E".

Continue to kit assembly.

A



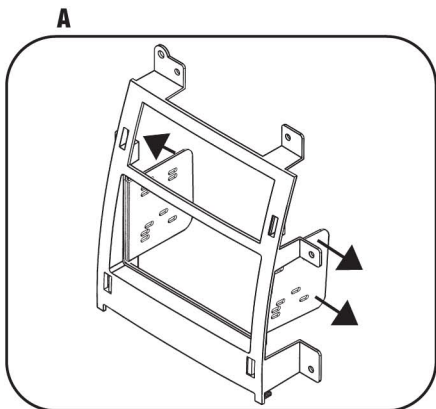
B



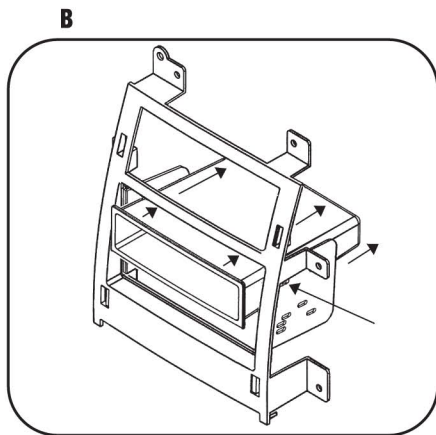
ISO MOUNT RADIO PROVISION WITH POCKET

**Note: Refer also to the instructions included with the aftermarket radio.*

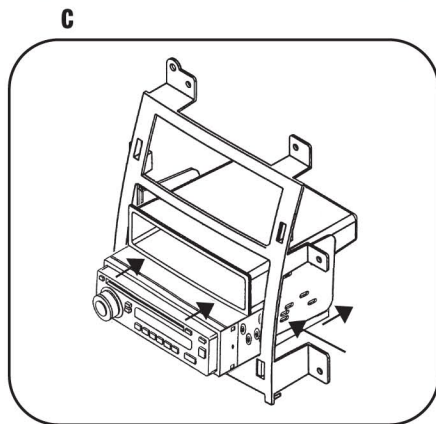
- 1 Flip the radio housing brackets upside down then snap them to the inside edge of the radio housing. (Figure A)



- 2 Slide the pocket into the top of the opening aligning the holes in the radio housing brackets with the bosses on the pocket and secure using the provided (4) #8 3/8" screws. (Figure B)

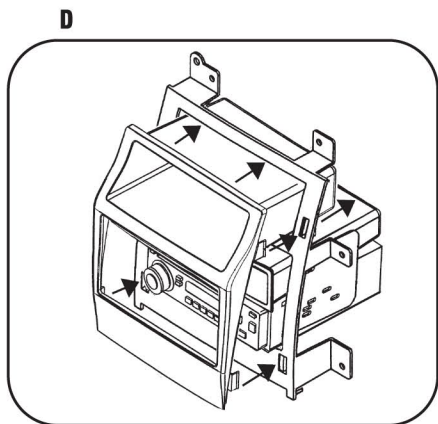


- 3 Slide the ISO radio into the opening below the pocket and secure the unit to the kit using the screws supplied with the radio. (Figure C)



- 4 Snap the radio housing trim plate onto the front of the housing. (Figure D)

Continue to final assembly.



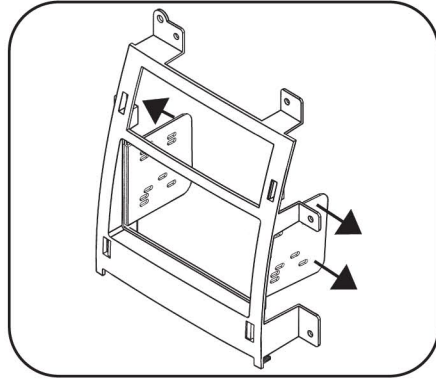
DOUBLE DIN RADIO PROVISION

**Note: Refer also to the instructions included with the aftermarket radio.*

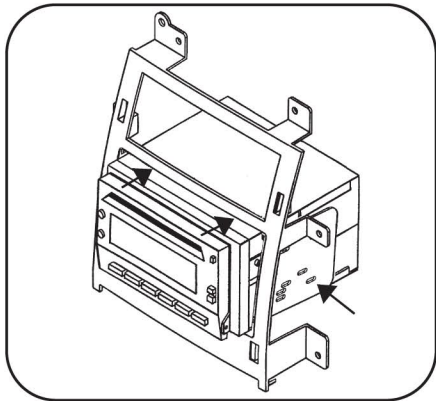
- 1 Attach the radio housing brackets to the inside edge of the radio housing. (Figure A)
- 2 Slide the Double DIN radio into the radio housing bracket assembly and secure the unit using the screws supplied with the radio. (Figure B)
- 3 Snap the radio housing trim plate onto the front of the radio housing. (Figure C)

Continue to final assembly.

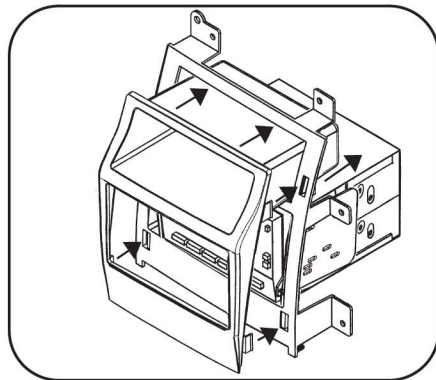
A



B



C



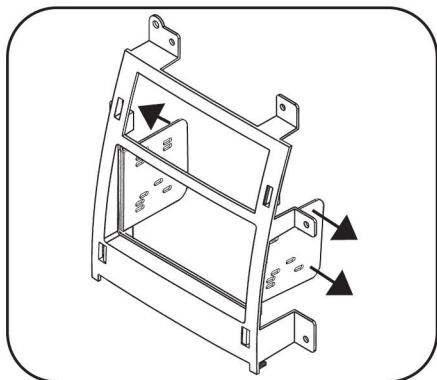
STACKED ISO UNITS PROVISION

**Note: Refer also to the instructions included with the aftermarket radio.*

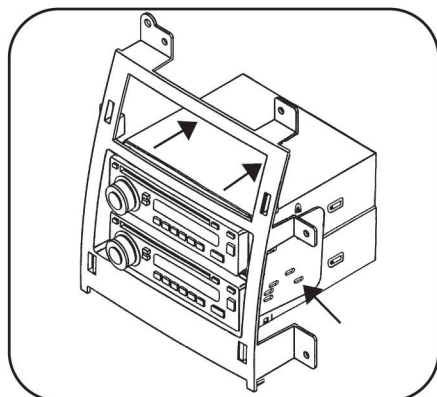
- 1 Attach the radio housing brackets to the inside edge of the radio housing. (Figure A)
- 2 Slide the stacked ISO units into the radio housing bracket assembly and secure the unit using the screws supplied with the units. (Figure B)
- 3 Snap the radio housing trim plate onto the front of the radio housing. (Figure C)

Continue to final assembly.

A



B



C

