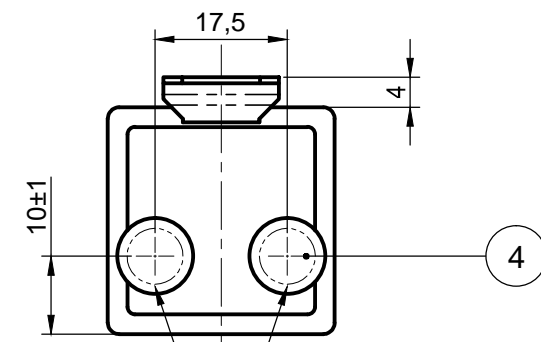


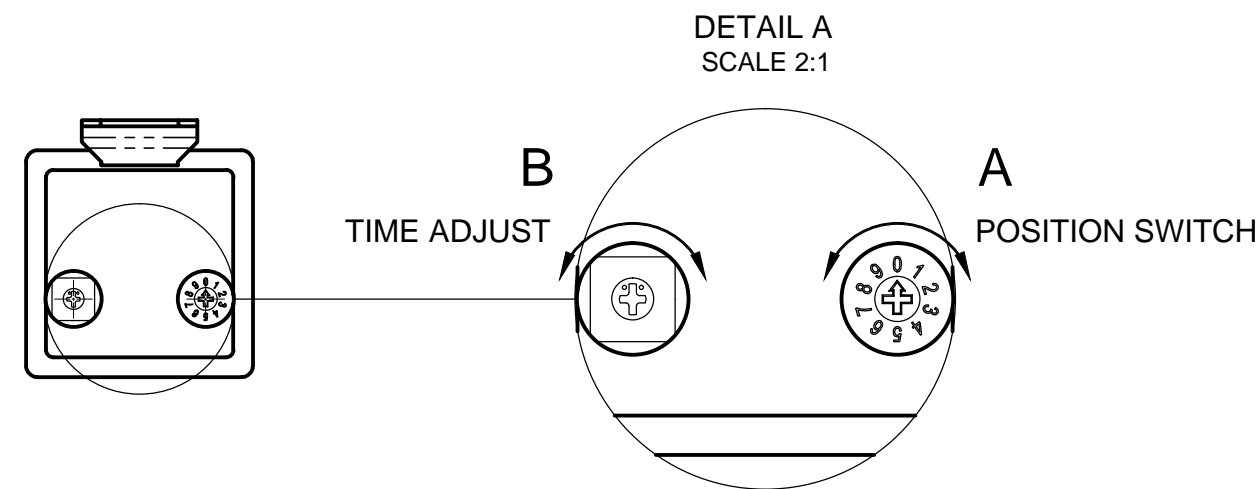
TERMINAL DESIGNATIONS (DIN 72552)

2	30	INPUT
3	87z	INPUT FROM + BATTERY PERMANENT
4	15	IGNITION
5	87a	OUTPUT NORMALLY CLOSED
6	31	GROUND
8	87	OUTPUT NORMALLY OPEN

* DO NOT SWITCH GROUND TO CONTROL THE TIMER

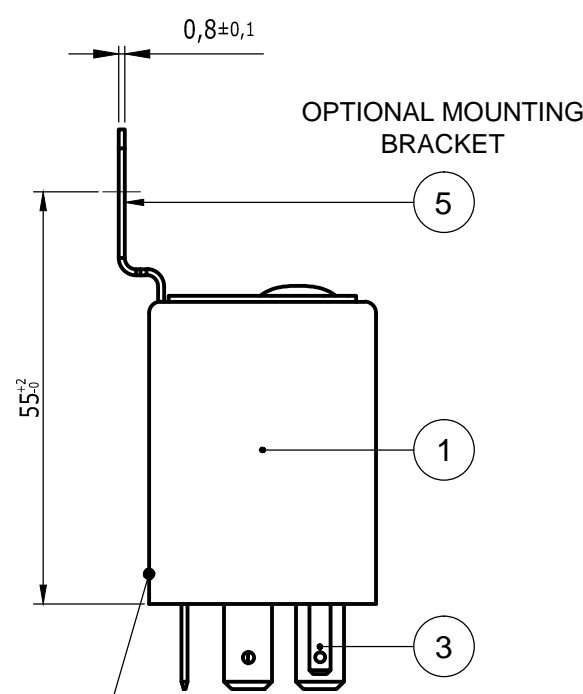


REMOVABLE BARREL PLUGS

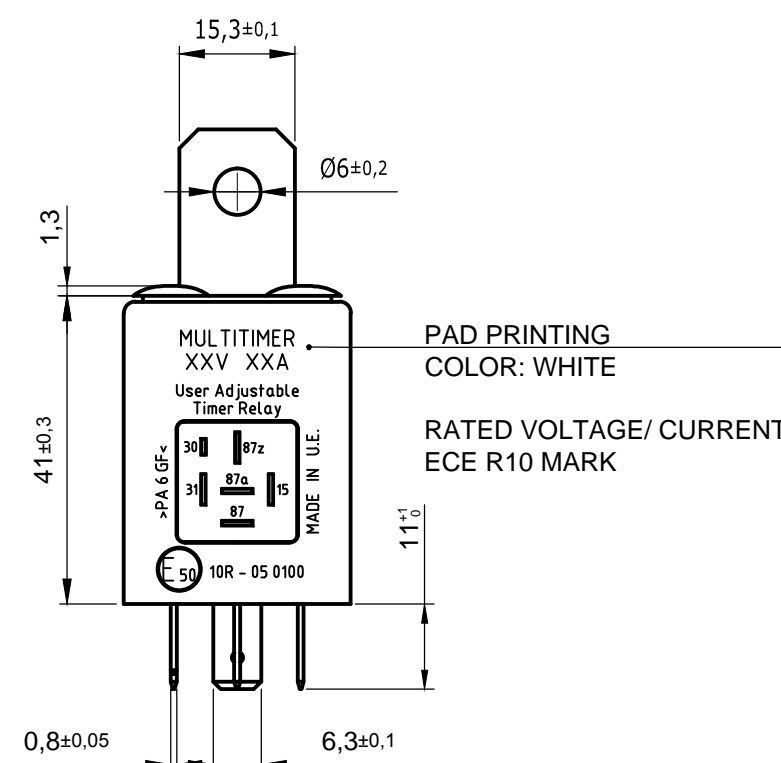


TECHNICAL CHARACTERISTICS

	T.40.206.A1	T.40.406.A1
INPUT DATA:		
RATED VOLTAGE	12 VDC	24 VDC
OPERATING VOLTAGE	9V - 15V DC	18V - 30VDC
MAX ALLOWABLE OVERDRIVE VOLTAGE	16 VDC	32 VDC
QUISCENT CURRENT	5mA	7mA
OPERATING CURRENT (RELAY ON)	35mA	20mA
CONTROL CURRENT (+15)	= 0,5 mA	
CONTROL VOLTAGE (+15)	7,5 - 30 VDC	
OUTPUT DATA:		
CONTACTS FORM	SPDT	
CONTACTS MATERIAL	AgSnO ₂	
RATED CURRENT	10A / 15A	
MAX SWITCHING VOLTAGE	30 VDC	
MAX SWITCHING POWER	240W	
OPERATE TIME	MAX 15ms	
RELEASE TIME	MAX 10ms	
ELECTRICAL LIFETIME	> 100.000 OPS @ 30 ops/min	
MECHANICAL LIFETIME	10.000.000 OPS	
INSULATION RESISTANCE	> 100MΩ at 500VDC	
ENVIRONMENTAL DATA:		
OPERATING TEMPERATURE	-30°C + 60°C	
STORAGE TEMPERATURE	MAX 80°C	
REVERSE POLARITY PROTECTION	-30VDC	
OTHER:		
PROTECTION INDEX	IP50	
VIBRATION RESISTANCE	10-50Hz 1.5mm	

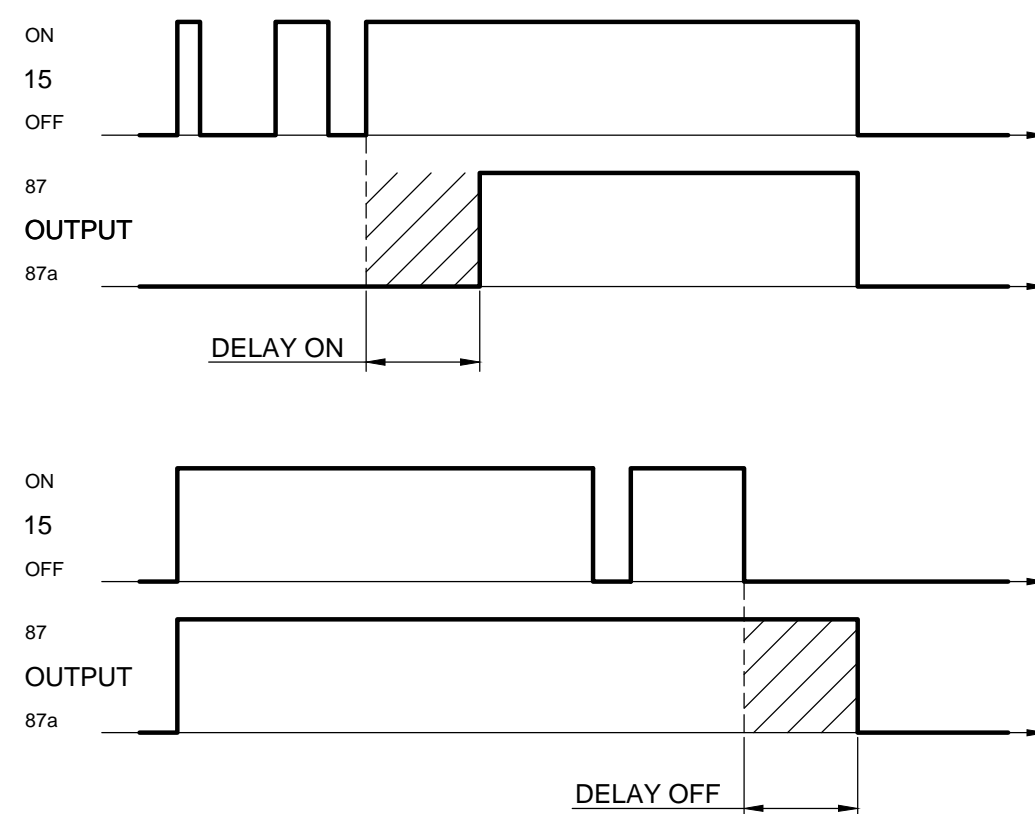


OPTIONAL MOUNTING BRACKET



PAD PRINTING COLOR: WHITE
RATED VOLTAGE/ CURRENT ECE R10 MARK

TIMING DIAGRAMS



MATERIALS

PART ID:	MATERIAL:	FINISH/ COLOR:
1	PA6 GF30	BLACK
2	PA6.6 GF30	BLACK
3	CuZn	Sn
4	LDPE	NATURAL
5	Fe	Zn

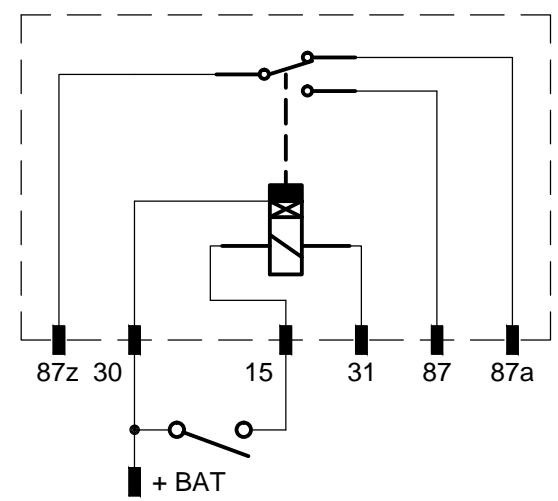
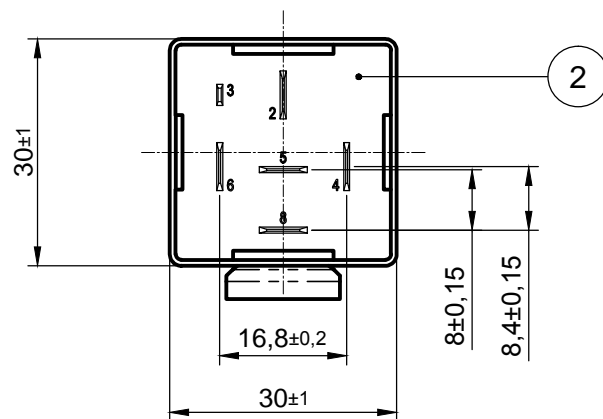
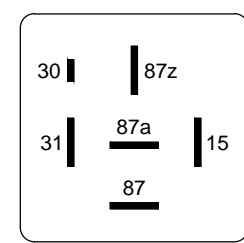
TIMING DATA

TIMING ACTION	DELAY ON OPERATE - DELAY OFF RELEASE
ADJUSTABLE DELAY	0.1 SEC. TO 6 HOURS
ACCURACY	±5% NOMINAL VALUE
OPERATE TIME	<10 ms
RELEASE TIME	< 5 ms

SWITCH "B" AND POTENTIOMETER "A" FUNCTION

POSITION SWITCH "B"	TIME ADJUST "A"
0	DELAY OFF 0,5 SEC. TO 10 SEC.
1	DELAY OFF 5 SEC. TO 60 SEC.
2	DELAY OFF 0,5 MIN. TO 10 MIN.
3	DELAY OFF 5 MIN. TO 60 MIN.
4	DELAY OFF 30 MIN. TO 360 MIN.
5	DELAY ON 30 MIN. TO 360 MIN.
6	DELAY ON 5 MIN. TO 60 MIN.
7	DELAY ON 0,5 MIN. TO 10 MIN.
8	DELAY ON 5 SEC. TO 60 SEC.
9	DELAY ON 0,5 SEC. TO 10 SEC.

DIN 72651A - TERMINALS ASSIGNMENT
ISO 8092 - BLADE TERMINALS: 6,3 x 0,8 mm



Datasheets and all specifications are subject to change without notice.

REV:	DESCRIPTION:	DATE:	DRAWN:	APPROVED:
A	EDITED TIME ADJUSTMENT INFORMATION	21/09/2016	NARDI	TESSARO

REVISIONS

DRAWN: NARDI	DATE: 15/06/2016	CHECKED: TESSARO	DATE: 15/06/2016	GENERAL TOLERANCES FOR LINEAR AND ANGULAR DIMENSIONS ACCORDING TO ISO 2768		
TITLE: MULTITIMER RELAY 6P DELAY ON/ DELAY OFF PART NUMBER: T.40.X06.A1				WEIGHT: 36g	SCALE: 1:1	
BY TERMS OF LAW IS STRICTLY FORBIDDEN TO COPY OR COMMUNICATE TO THIRD THE CONTENT OF THIS DRAWING				REV. -	SHEET: 1/1	